

# 10/100 BASE-T Single port Magnetics

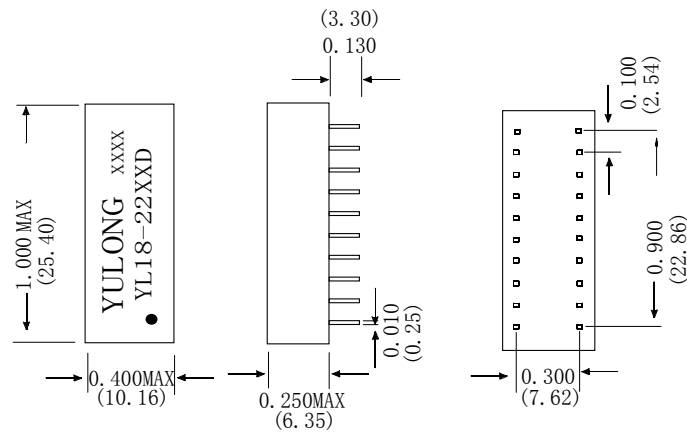
## Features:

- Isolation Modules are Available for Most LAN IC Manufacture's Products
- all IEEE 802.3 and ANSI X3.263 standard including 350 uH OCL with 8 mA bias
- Operating temperature 0°C to 70°C
- Minimum interwinding breakdown voltage of 1500Vrms

## Electrical Specifications @ 25°C

Part Number	Turns Ratio		Insertion Loss (dB max)	ReturnLoss (dB min)			CMRR (dB TYP)	Crosstalk (dB min)
	TX	RX		0.1-100MHz	1-30MHz	30-60MHz		
YL18-2202D	1CT:1CT	1CT:1CT	-1.15	-18	-14	-12	-40	-38
YL18-2203D	1CT:1CT	1CT:1CT	-1.15	-18	-14	-12	-40	-38
YL18-2204D	1CT:1CT	1CT:1CT	-1.15	-18	-14	-12	-40	-38
YL18-2205D	1CT:1CT	1CT:1CT	-1.15	-18	-14	-12	-40	-38
YL18-2206D	1CT:1CT	1CT:1CT	-1.15	-18	-14	-12	-40	-38
YL18-2207D	1CT:1CT	1CT:1CT	-1.15	-18	-14	-12	-40	-38
YL18-2208D	1CT:1CT	1CT:1CT	-1.15	-18	-14	-12	-40	-38

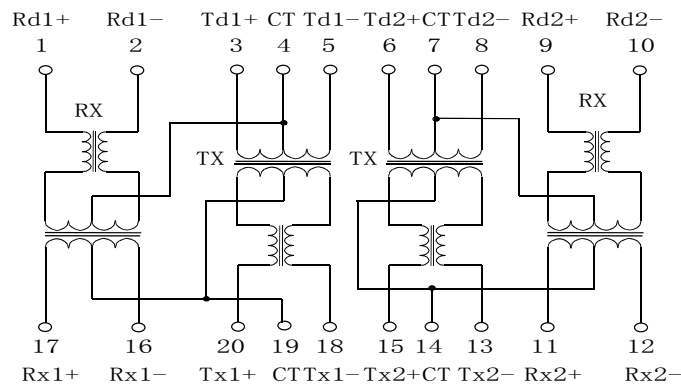
## Mechanicals



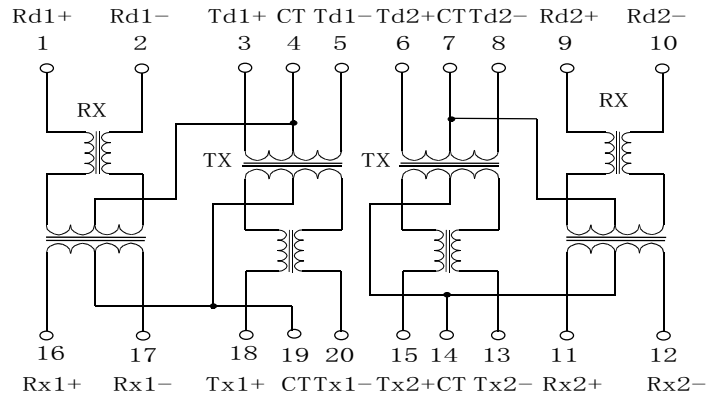
NOTE:Dimensions:inches/(mm) unless otherwise specified all tolerances are  $\pm 0.010(0.25)$

## Schematics

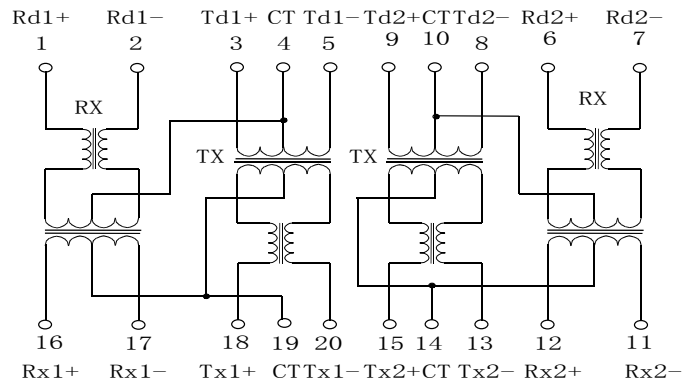
### YL18-2202D



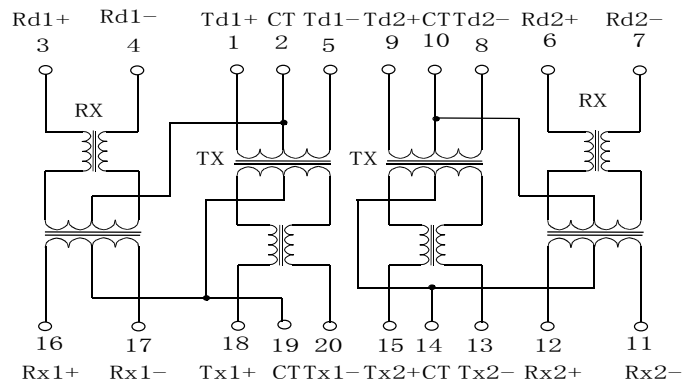
**YL18-2203D**



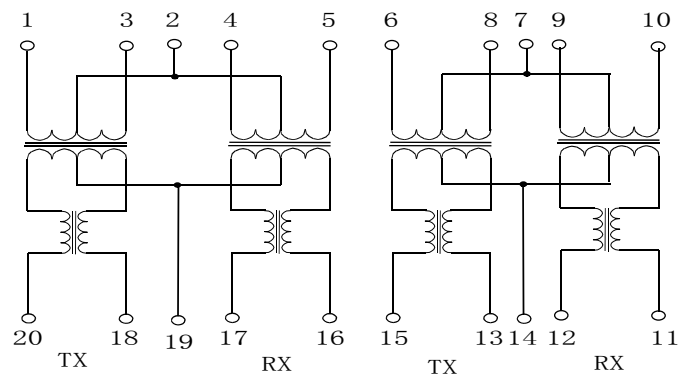
**YL18-2204D**



**YL18-2205D**

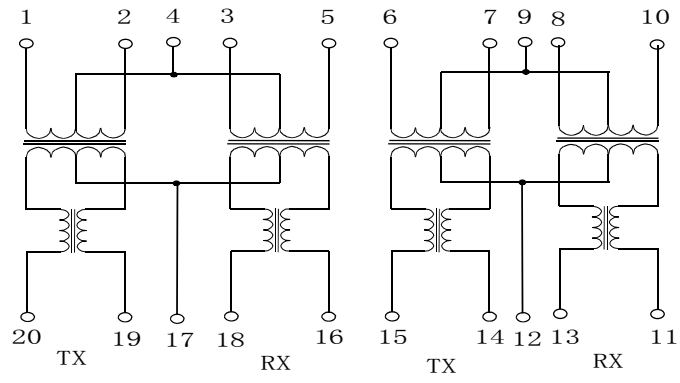


**YL18-2206D**



---

**YL18-2207D**



---

**YL18-2208D**

