

# LAN9303 Reference Design

## Schematic Revision 1.3

Circuit Diagrams utilizing SMSC Products Are Included As A Means Of Illustrating Typical Semiconductor Applications: Consequently Complete Information Sufficient For Construction Purposes Is Not Necessarily Given. The Information Has Been Carefully Checked And Is Believed To Be Entirely Reliable. However, No Responsibility Is Assumed For Inaccuracies. Furthermore, Such Information Does Not Convey To The Purchaser Of The Semiconductor Devices Described Any License Under The Patent Rights Of SMSC Or Others. SMSC Reserves The Right To Make Changes At Any Time In Order To Improve Design And Supply The Best Product Possible.

ITEM	Page (s)
Title Page	1
LAN9303	2
LAN9303 Ethernet Ports	3

### Revision History

#### Rev 1.0 to 1.1:

All Pages: Update to page formatting.

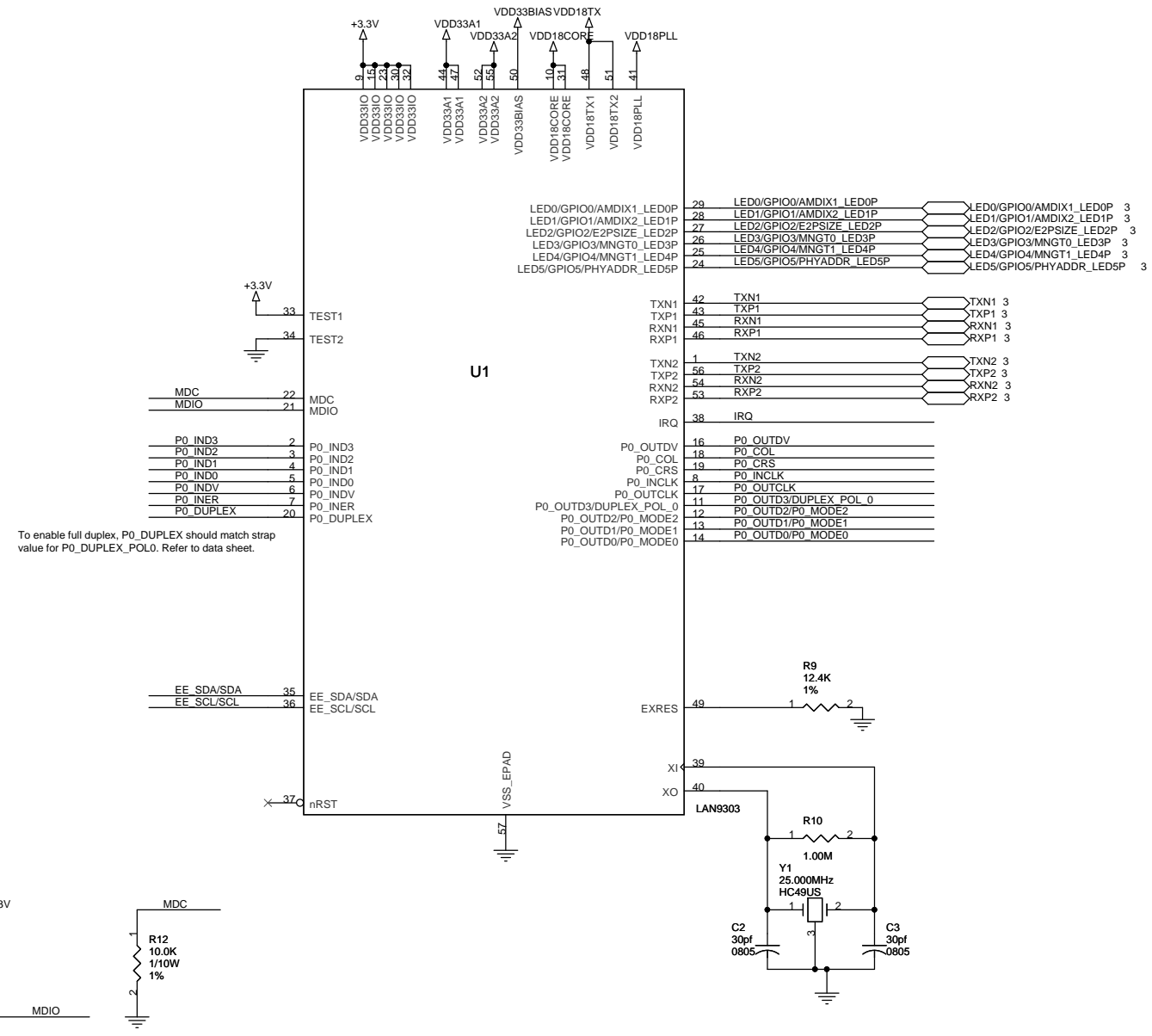
#### Rev 1.1 to 1.2:

Page 3: Changed Ethernet magnetics module center-tap resistor values (R20, R29) from 49.9 Ohms to 10.0 Ohms.

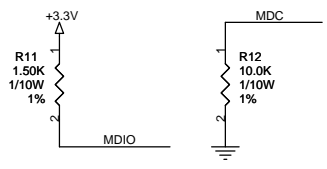
#### Rev 1.2 to 1.3:

Page 2: Added note stating I2C pull-ups are required when operating without an EEPROM.

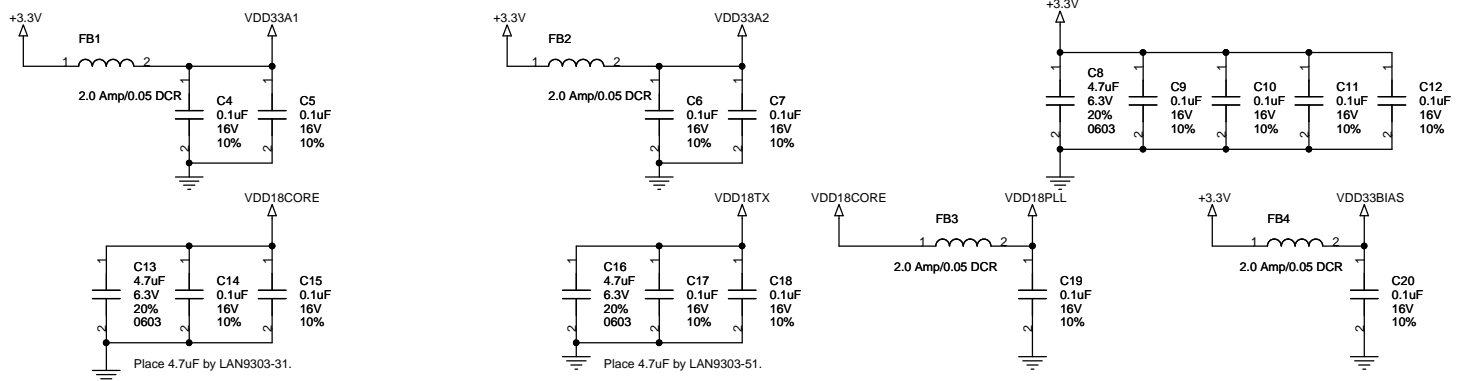
			
Title			
Size	Engineer	Assembly No.	Rev
C	R. Walsh	LAN9303	1.3
Date:		Sheet 1 of 3	
Friday, June 11, 2010			



To enable full duplex, P0\_DUPLEX should match strap value for P0\_DUPLEX\_POL0. Refer to data sheet.

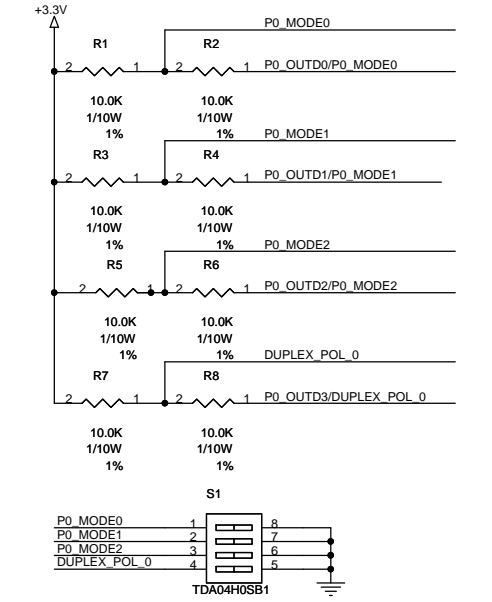


### Power Supply Filtering LAN9303

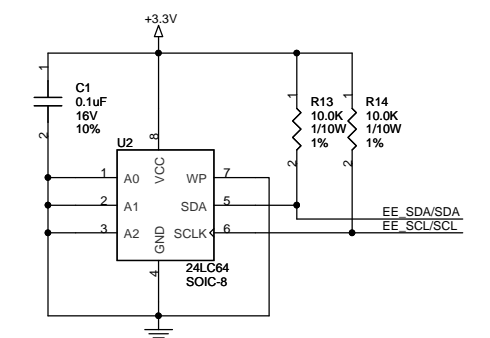


### Optional Mode Select.

Place R2, R4, R6 and R8 near the PO\_OUTD0-3 signals. They serve to isolate the OUT DATA from the trace stub that runs to the strap pull-ups and Switch.



### Optional I2C Serial EEPROM

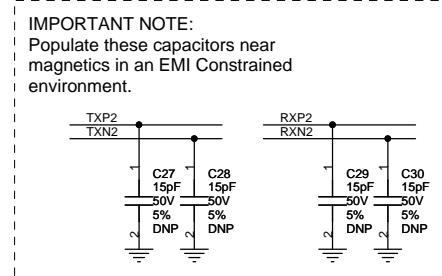
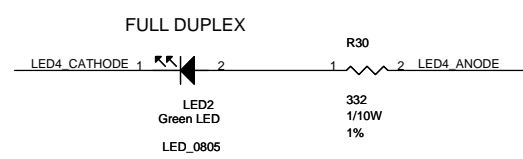
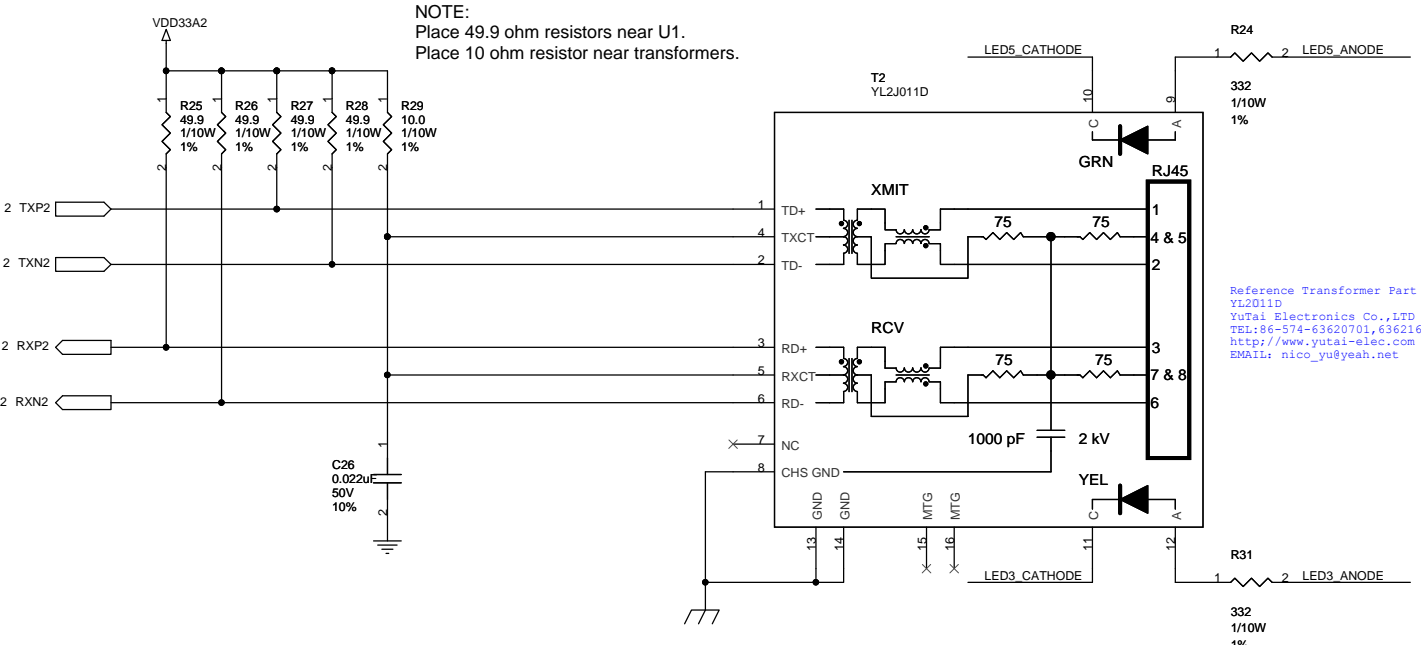
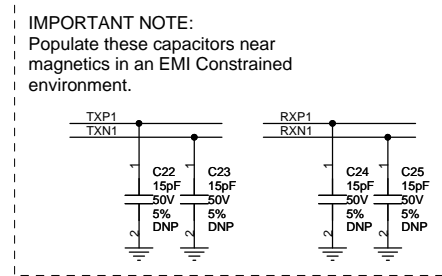
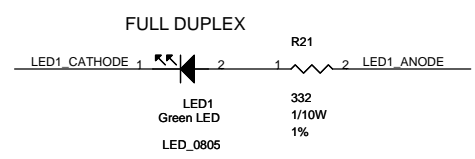
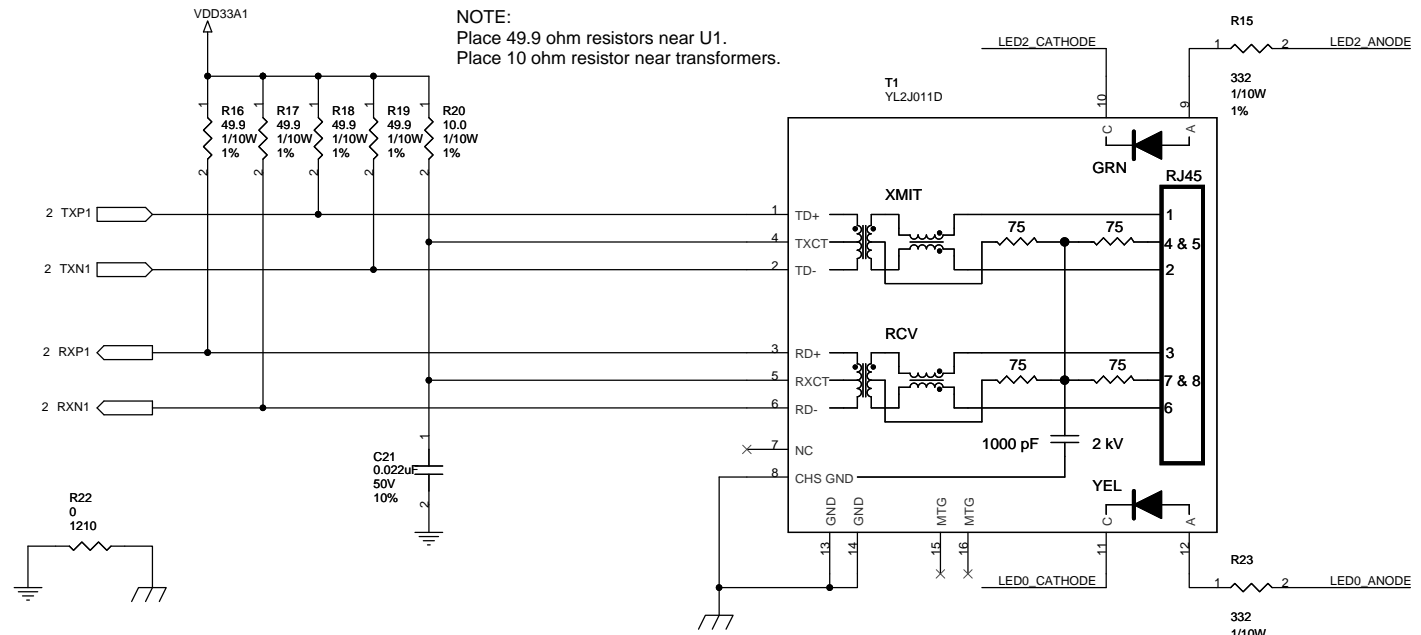


**IMPORTANT NOTE:**  
Pull-ups are required on the EE\_SDA/SDA and EE\_SCL/SCL pins whether an EEPROM is used or not used.

**SMSC**  
SUCCESS BY DESIGN

Title: **LAN9303**

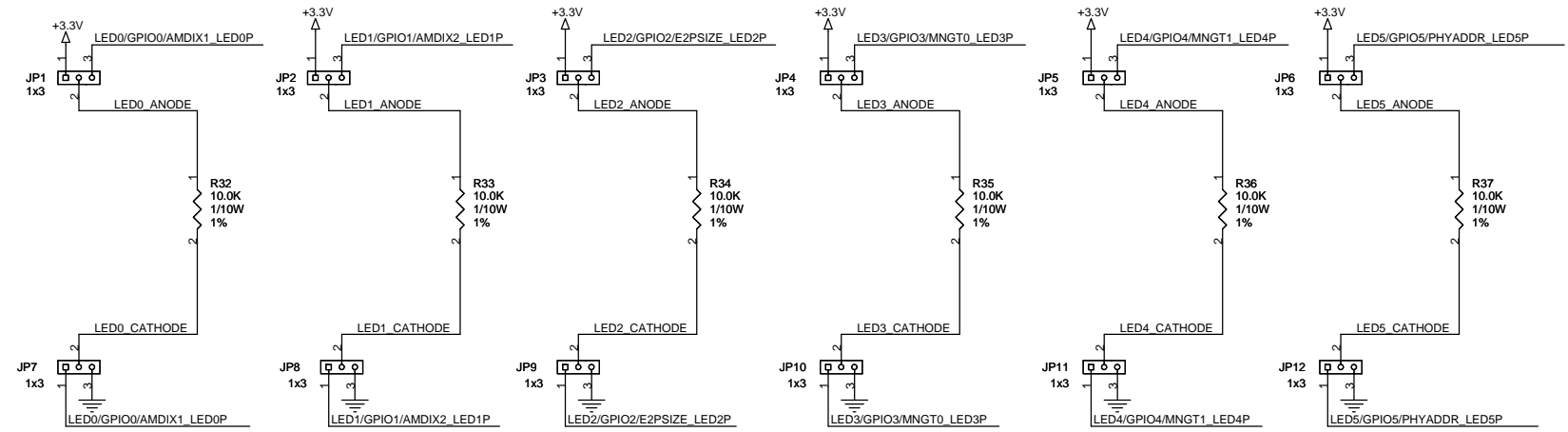
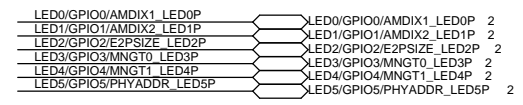
Size C	Engineer <b>R. Walsh</b>	Assembly No. <b>LAN9303</b>	Rev <b>1.3</b>
Date: <b>Thursday, June 10, 2010</b>		Sheet <b>2</b> of <b>3</b>	



Reference Transformer Part No. list  
YL2011D  
YuTai Electronics Co.,LTD  
TEL:86-574-63620701,63621610  
http://www.yutai-elec.com  
EMAIL: nico\_yu@yeah.net

### Optional LED Strap Circuitry.

Vertically aligned jumpers, i.e. JP1 and JP7, should be set to the same setting. For example, Setting JP1 1-2 and JP7 1-2 selects AUTOMDIX1 enabled.



**SMSC**  
SUCCESS BY DESIGN

Title: **LAN9303 Ethernet Ports**

Size C	Engineer <b>R. Walsh</b>	Assembly No. <b>LAN9303</b>	Rev <b>1.3</b>
Date:	Thursday, June 10, 2010		Sheet 3 of 3